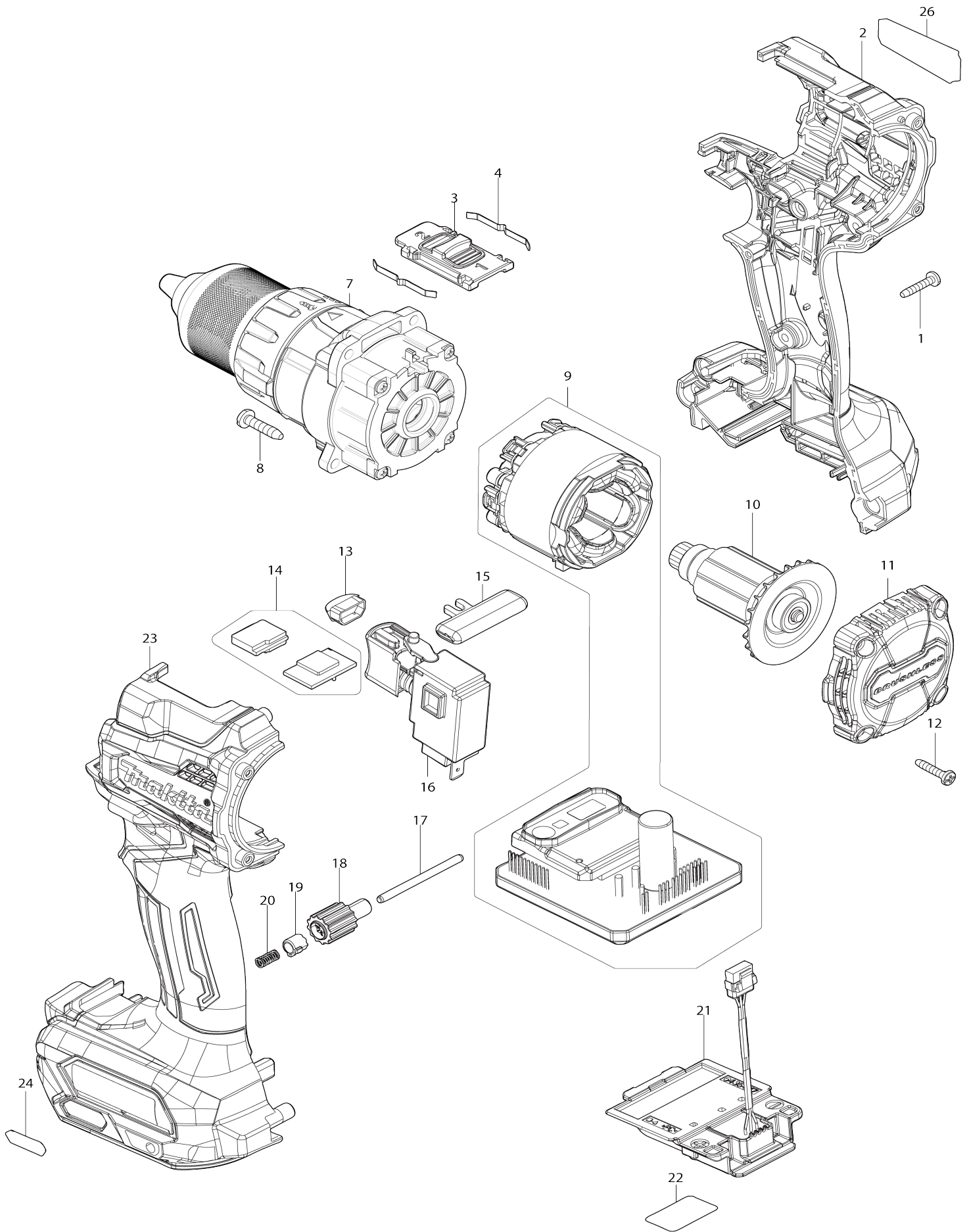


# Model No.DF001G CORDLESS DRIVER DRILL



**Model No.DF001G CORDLESS DRIVER DRILL**

Item No.	Parts No.	Description	Interchangability	Q'ty	New/Old	Sales Price (BGN)	Purchase Price(BGN)	Note1	Note2
001	266130-9	TAPPING SCREW BIND PT 3X16		7		0,29		Z72	94
002	183N73-3	HOUSING SET		1	*	19,98		01224A	1
C10	263005-3	RUBBER PIN 6		2	*	0,29		Z52	23
C20	252126-6	HEX. LOCK NUT M4-7		2	*	0,60		02443B	4
C30	422569-8	SPONGE SHEET		2	*				
002		INC. 23			*				
002-1	183S37-7	HOUSING SET	O	1					
C10	263005-3	RUBBER PIN 6		2		0,29		Z52	23
C20	252126-6	HEX. LOCK NUT M4-7		2		0,60		02443B	4
C30	422569-8	SPONGE SHEET		2					
002-1		INC. 23							
003	127494-5	SPEED CHANGE LEVER ASSEMBLY		1		2,00		01A12B	6
C10	233438-6	COMPRESSION SPRING 4		2		0,29		02321B	1
004	232220-0	LEAF SPRING		2		0,29		N117	14
007	136232-4	KEYLESS DRILL CHUCK ASS'Y		1	*	166,56		01A14B	0
007-1	136360-5	KEYLESS DRILL CHUCK ASS'Y	<	1	*				
C10	763252-1	KEYLESS DRILL CHUCK 13		1	*	55,00		15224A	8
C20	127728-6	GEAR ASSEMBLY		1	*				
C30	251468-5	- FLAT HEAD SCREW M6X22		1	*	0,36		02322A	153
007-2	136406-7	KEYLESS DRILL CHUCK ASS'Y	<	1					
C10	763252-1	KEYLESS DRILL CHUCK 13		1		55,00		15224A	8
C20	122A41-3	GEAR ASSEMBLY		1					
C30	251468-5	- FLAT HEAD SCREW M6X22		1		0,36		02322A	153
008	266326-2	TAPPING SCREW 4X18		4		0,29		STOCK	0
009	629476-8	STATOR COMPLETE		1		415,86		06751	2
C10	8009H0-8	SWITCH LABEL		1					
010	619613-2	ROTOR		1	*	61,14		06942	1
010-1	619613-2	ROTOR	O	1		61,14		06942	1
011	412361-0	REAR COVER		1		3,72		04824B	1
012	266130-9	TAPPING SCREW BIND PT 3X16		4		0,29		Z72	94
013	620549-0	LED CIRCUIT		1		5,56		07642A	1
014	620C81-2	SENSOR CIRCUIT		1		21,24		07623B	1
015	419041-9	F/R CHANGE LEVER		1		1,00		04312B	24
016	651443-5	SWITCH C3JR-4B		1		33,60		07623B	10
017	256949-4	ROD 3		1		0,48		02822B	1
018	140R76-4	DIAL COMPLETE		1		3,78		01A13A	1
019	313288-6	DIAL CAM		1		0,96		03714A	1
020	232597-3	COMPRESSION SPRING 3		1		0,06		02822A	1
021	632P49-4	TERMINAL UNIT		1		14,22		07612B	10
022	856T20-0	DF001G SERIAL NO. LABEL		1					
023	183N73-3	HOUSING SET		1	*	19,98		01224A	1
C10	263005-3	RUBBER PIN 6		2	*	0,29		Z52	23
C20	252126-6	HEX. LOCK NUT M4-7		2	*	0,60		02443B	4
C30	422569-8	SPONGE SHEET		2	*				
023		INC. 2			*				
023-1	183S37-7	HOUSING SET	O	1					
C10	263005-3	RUBBER PIN 6		2		0,29		Z52	23

C20	252126-6	HEX. LOCK NUT M4-7		2	0,60		02443B	4
C30	422569-8	SPONGE SHEET		2				
023-1		INC. 2						
024	8007R2-2	XGT LOGO LABEL		1				
026	856T13-7	DF001G NAME PLATE		1				
A01	127552-7	GRIP ASSEMBLY		1				
C10	140S65-5	ARM R COMPLETE		1				
C20	140S66-3	POLE COMPLETE		1				
C30	266886-4	HEX. BOLT M8X65		1				
C40	319966-6	ARM L		1				
C50	962055-2	RETAINING RING (INT) R-15		1				
A02	251314-2	+ TRUSS HEAD SCREW M4X12		2	0,29		N143	60
A03	346317-0	HOOK		1	3,50		03503	170
A04	784637-8	+ BIT 2-45		2	2,84		STOCK	0
A05	452947-8	BIT HOLDER		1	0,48		04544B	25
A06	412393-7	BATTERY COVER		1				
A07	***DC40RA	DC40RA FAST CHARGER		1				
A07		COMPO-PARTS						
A08	191B36-3	BATTERY BL4025 SET		2	290,00		A512	6
A08	191B26-6	BATTERY BL4040 SET		2	411,67		A612	11
A09	821551-8	CONNECTOR PLASTIC CASE (TYP E3)		1	70,00		A111	0
C10	453974-8	LATCH		4	0,83		03622A	12
A10	835F93-2	INNER TRAY		1				
A11	8010K6-6	DF001GD201 INDICATION LABEL		1				
A11	8010L8-9	DF001GM201 INDICATION LABEL		1				
A12	8010K7-4	DF001GD201 PLASTIC CASE LABEL		2				
A12	8010L9-7	DF001GM201 PLASTIC CASE LABEL		2				

Please state Parts No. when your order.

Print Date 25.01.2025 r.